

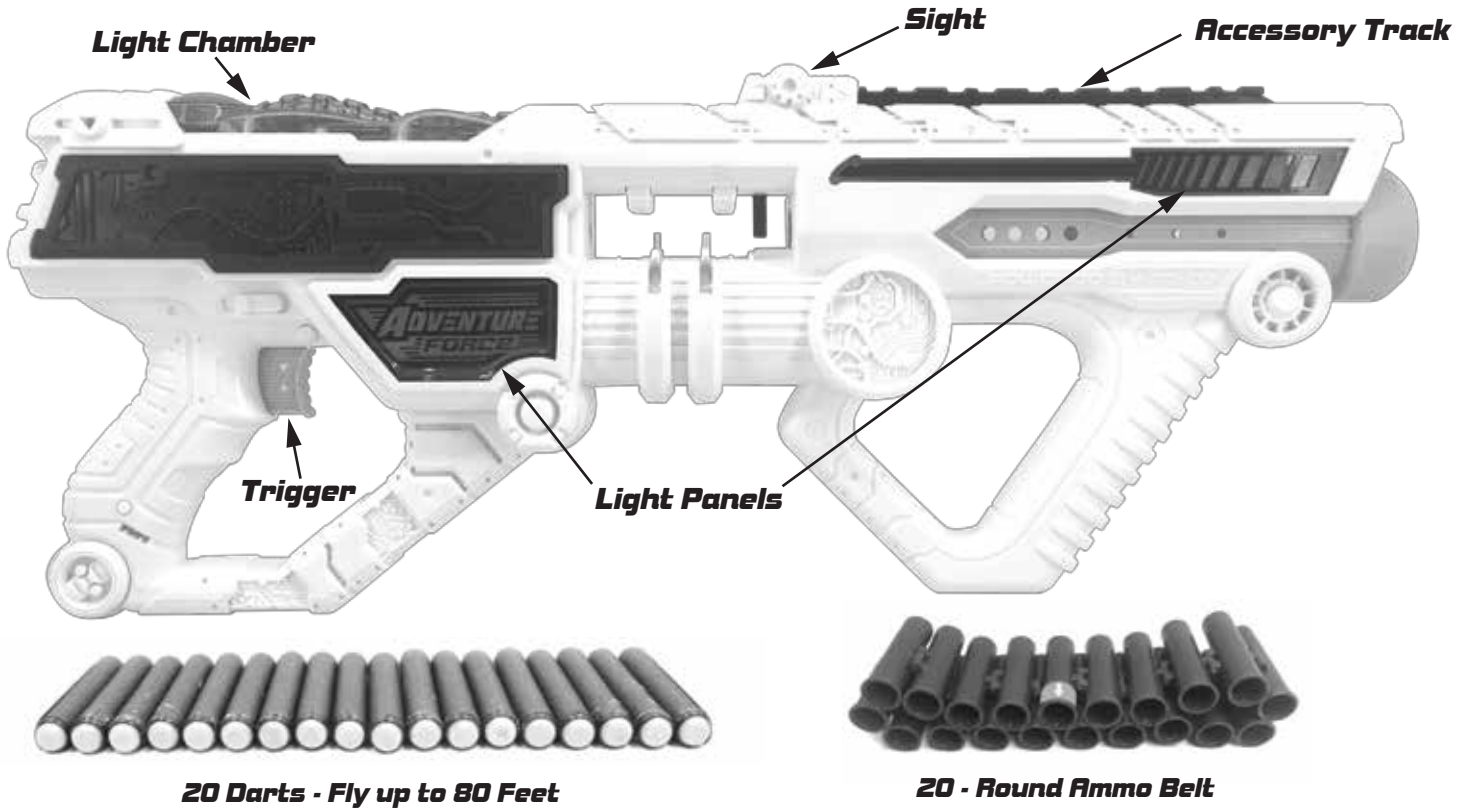
**ADVENTURE  
FORCE™**

# LIGHT COMMAND™

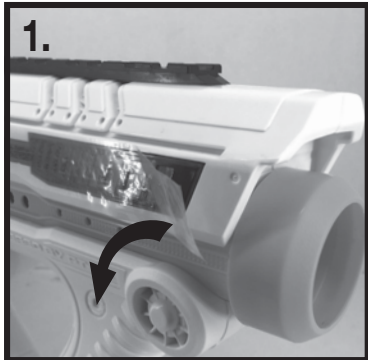
MotORIZED Belt Blaster

**8+**  
Item No. 6868

SHOOTS  
UP TO **80**  
FEET

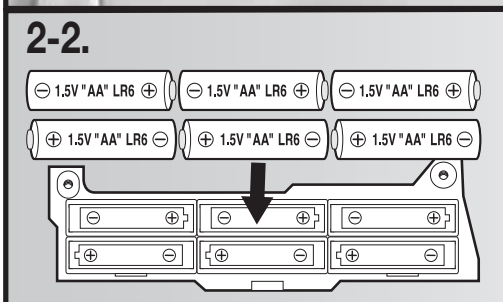
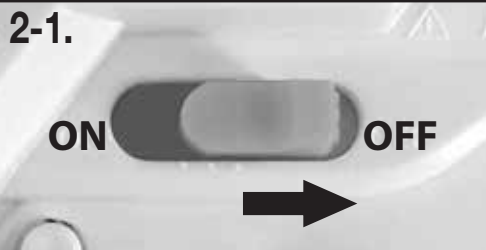
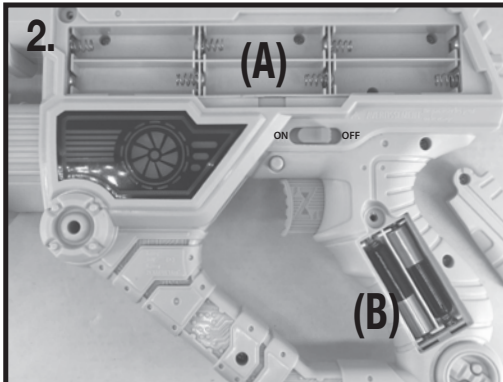


## Set-up Instructions:



### 1. Protective Labels

Remove the transparent labels covering the lite-up panels (See diagram 1).



## 2. Loading Batteries

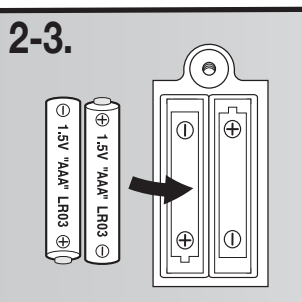
There are two battery compartments (See diagram 2).

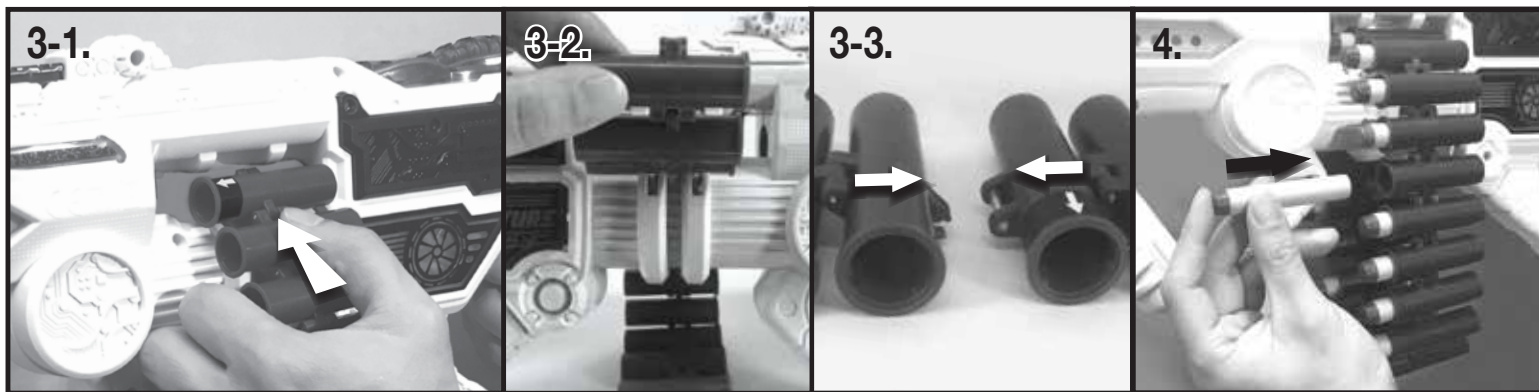
“A” is for the mechanism to launch darts.

- Move the power switch to the “OFF” position.
- Loosen the screws with a Phillips / cross-head screwdriver.
- Lift cover, and insert 6 x 1.5V AA Alkaline batteries (not included). Follow the polarity directions (See diagram 2-2).
- Close the battery cover, and replace the screws.

“B” is for the LED lights.

- Follow instructions, as above, for replacement (See diagram 2-3).
- 2 x 1.5V AAA Alkaline batteries are already included with the product.





### 3. Loading the Ammo Belt

- Move the power switch to the “ON” position.
- Insert end of belt (with the “directional arrow”) into the gear chamber from left side of blaster (See diagram 3-1). Ensure that the “directional arrow” is pointing towards the front of the blaster.
- Ensure belt is centered in the middle of the track (See diagram 3-2).
- Press the trigger to advance the belt.
- Snap the two ends of the belt together to form a continuous loop (See diagram 3-3).

\* Note:- Light Command™'s Ammo Belt is not universal with other Adventure Force blasters.

### 4. Loading the Darts

- The ammo belt has 20 cartridges.
- Insert the darts into the empty cartridges. Ensure that each dart has been pushed in all the way (See diagram 4).
- Pull the belt along its track to access all the cartridges.
- When all the darts have been loaded, press the trigger to launch.

### Trouble Shooting:

Problem	Suggestion
<b>Pressed Trigger: No Response</b>	• Check that batteries have been inserted in the correct polarity.
<b>Pressed Trigger; Motor moves; but does not fire</b>	• Check that the Darts have been inserted all the way to the rear of the Cartridges.
<b>Darts travel only a short distance</b>	• Replace the batteries. • Rapid depressing and releasing of the trigger does not give sufficient time for the motors to spin. Hold down the trigger for a longer period.
<b>Ammo Belt does not rotate</b>	• Check that Ammo Belt has been positioned correctly in the drive gear.

### Battery Safety Information:

- Batteries are to be inserted with the correct polarity and always follow the product and battery manufacturers' instructions.
- Never mix old and new batteries (replace all batteries at the same time).
- Never mix Alkaline, standard (Carbon-Zinc) or rechargeable (Nickel-Cadmium) batteries.
- Only batteries of the same equivalent type as recommended are to be used.
- Do not use RECHARGEABLE batteries, unless specified.
- Non-rechargeable batteries are not to be recharged.
- Rechargeable batteries are to be removed from the product before being charged (if removable).
- Rechargeable batteries are only to be charged under adult supervision (if removable).
- Always remove exhausted or dead batteries from the product.
- Remove batteries from product before storage.
- The supply terminals are not to be short-circuited.
- Batteries may explode or leak if misused.
- Battery /Batteries should be installed by an adult only.
- AA/LR6 or AAA/LR03 Batteries may present a choking hazard.
- Keep away from young children.

Do not use projectiles other than those supplied with this toy.  
Do not aim at eyes or face.  
Do not look directly into the barrel.  
Do not launch at self or animals.  
Do not modify this toy or any of the included components.  
Do not use damaged or modified darts.  
Colors and contents may vary from items shown.  
Where applicable, remove all packaging before giving this product to your child.

Customer information: Not suitable for children under 3 years of age.  
US Patent Nos: 8,968,126; 9,285,194; 9,459,081; 9,032,945; 9,435,606 and 9,500,432.  
Other International Patents Pending.

©2017 Wal-Mart Stores, Inc.  
Adventure Force is a trademark of  
Wal-Mart Stores, Inc. All Rights Reserved.  
Distribute by Wal-Mart Stores, Inc., Bentonville, AR 72716  
MADE IN CHINA  
**Walmart.com**

Blasters and Darts  
designed by Dart Zone®  
Dart Zone® and Light Command™ are  
registered trademarks of Prime Time Toys Ltd.